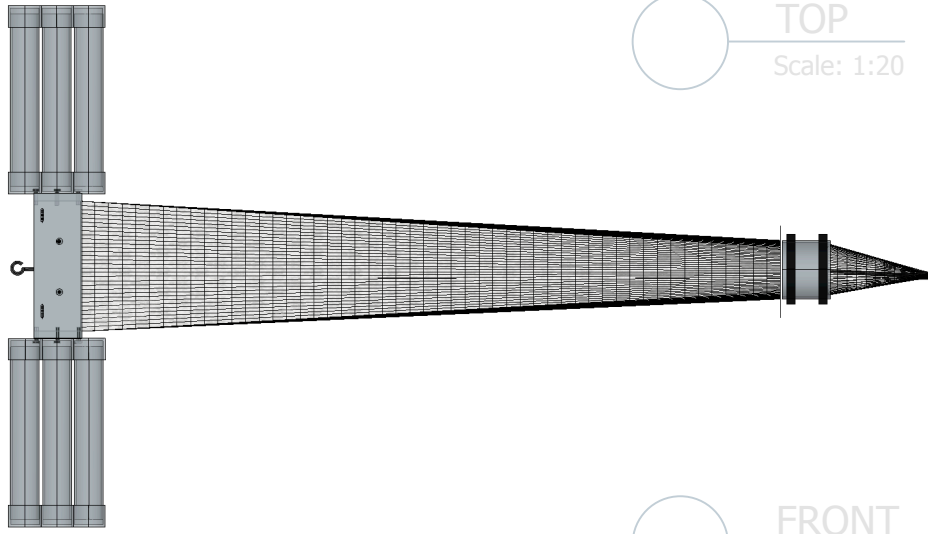


LADI Low-tech Aquatic Debris Instrument

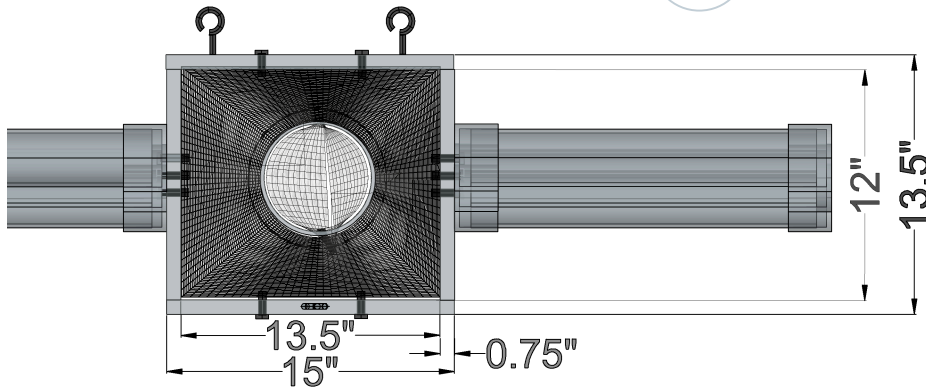
Design and Drawing by Coco Coyle

Copyright Coco Coyle 2016. This documentation describes Open Hardware and is licensed under the CERN OHL v. 1.2.

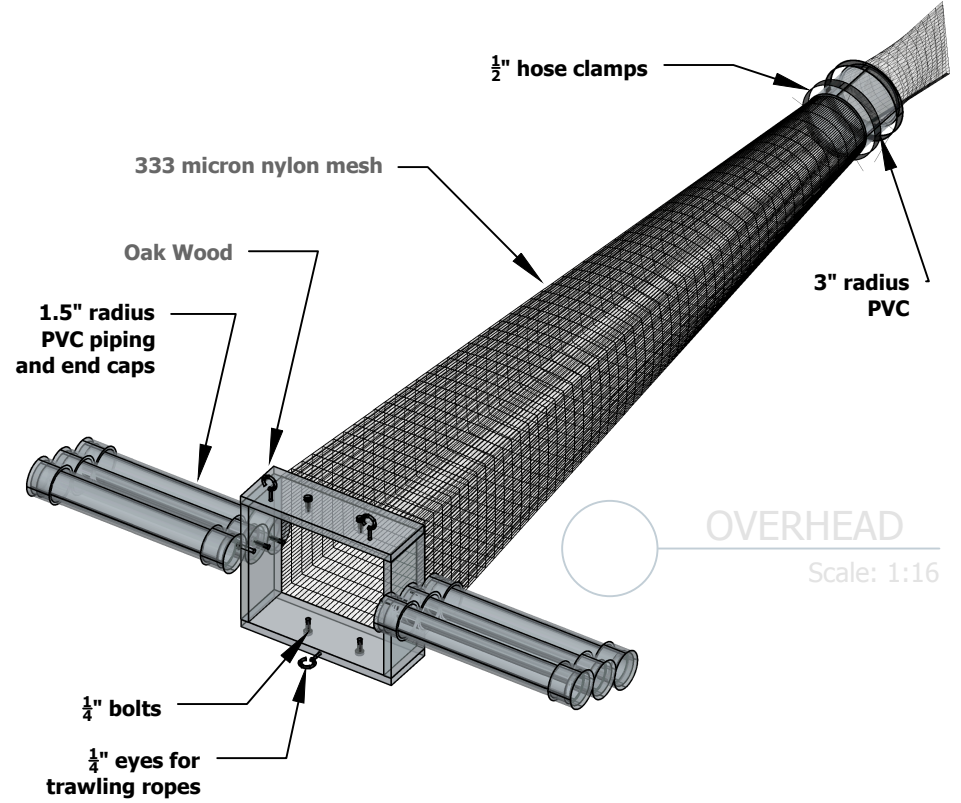
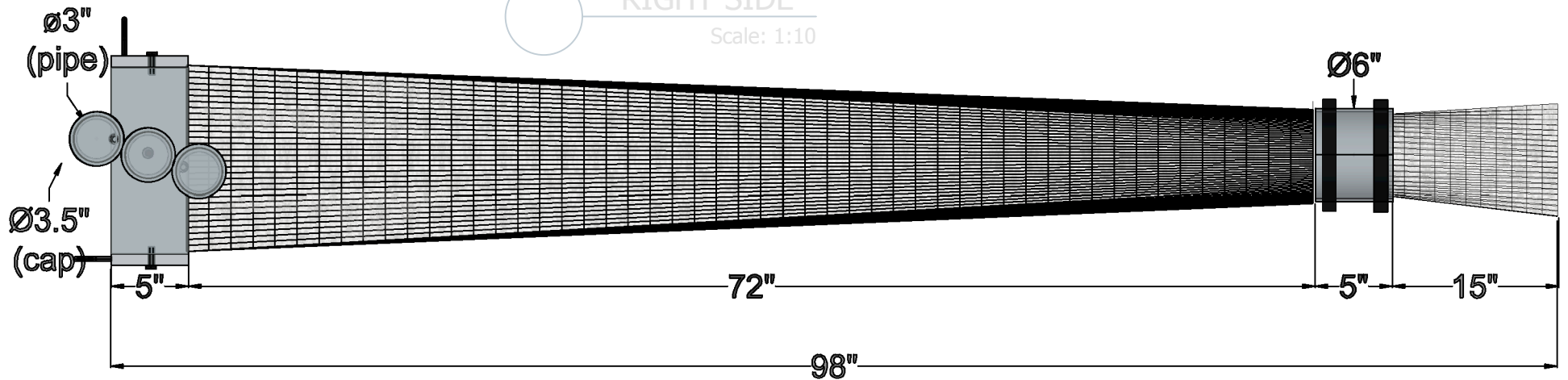
TOP
Scale: 1:20



FRONT
Scale: 1:10



RIGHT SIDE
Scale: 1:10



OVERHEAD
Scale: 1:16